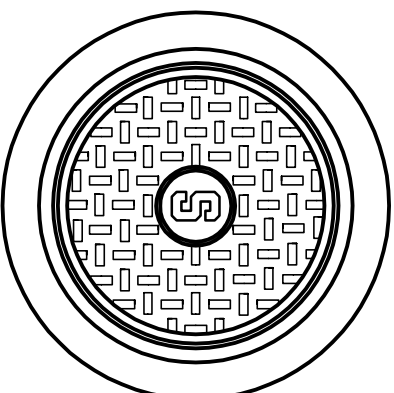
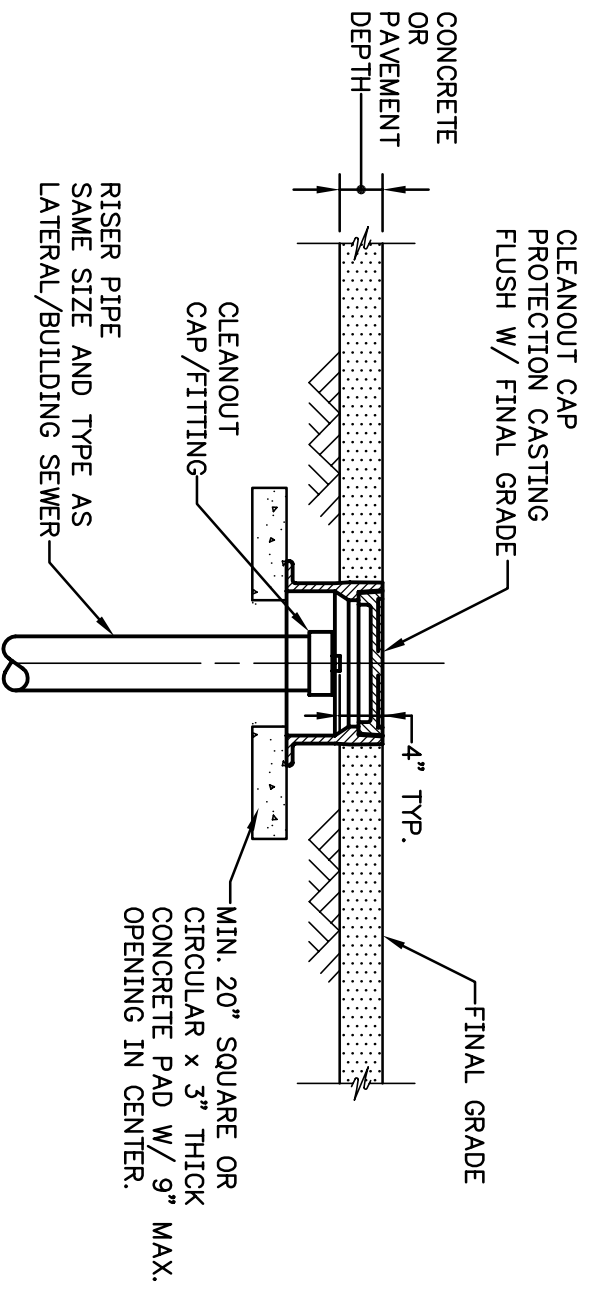


CAP



PLAN



ELEVATION

NOTES:

1. CASTING FRAME AND COVER SHALL BE HEAVY DUTY WITH "S" MARKING ON COVER (EAST JORDAN IRON WORKS CATALOG No. 1565, OR APPROVED EQUAL).

FILE NAME: LAT-6-CO-CAP.DWG

STANDARD DETAILS

**CAP PROTECTION CASTING FOR
CLEANOUT COVER IN PAVED AREAS**
WASHINGTON TOWNSHIP MUNICIPAL AUTHORITY

DATE	REVISIONS	SCALE	DWG. NO.
12/07	DWG. CREATED	NO SCALE	LAT-6