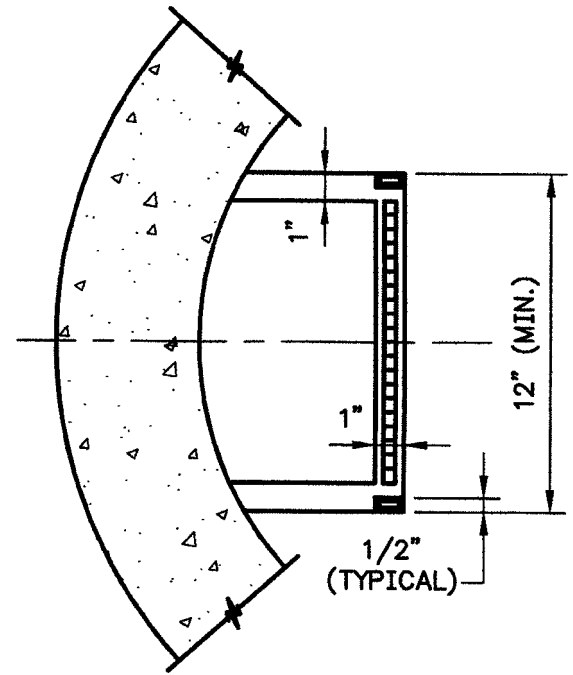
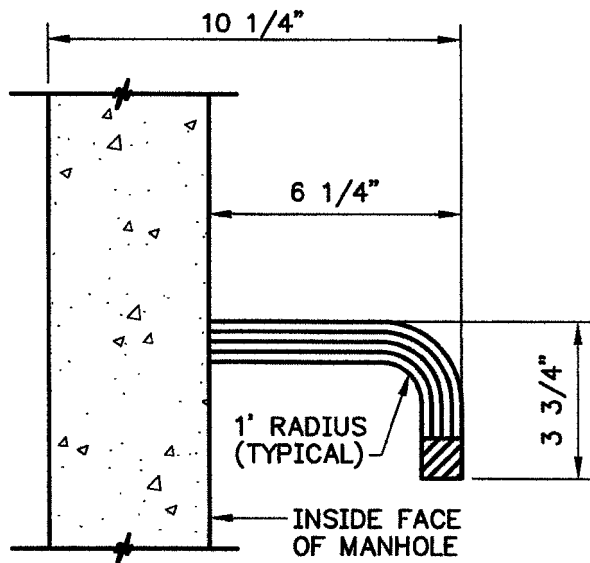


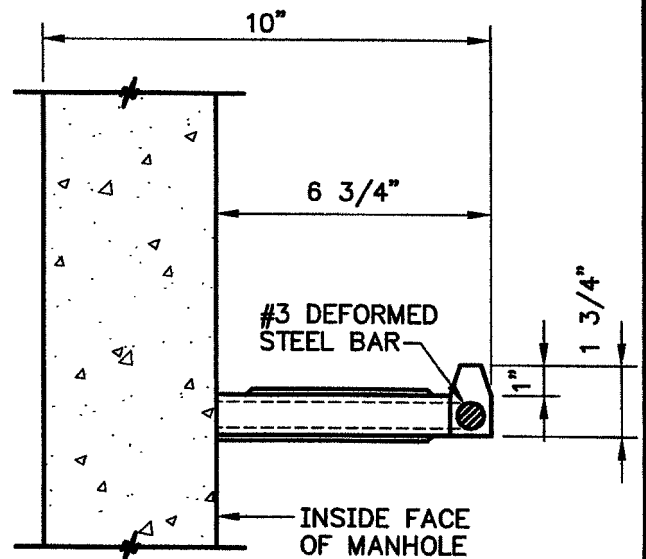
PLAN



PLAN



SECTIONAL ELEVATION
ALUMINUM



SECTIONAL ELEVATION
REINFORCED PLASTIC

FILE NAME: MH-9-MH STEPS.DWG

STANDARD DETAILS

MANHOLE STEPS

WASHINGTON TOWNSHIP MUNICIPAL AUTHORITY

DATE	REVISIONS
11/07	DWG. CREATED
SCALE NO SCALE	DWG. NO. MH-9