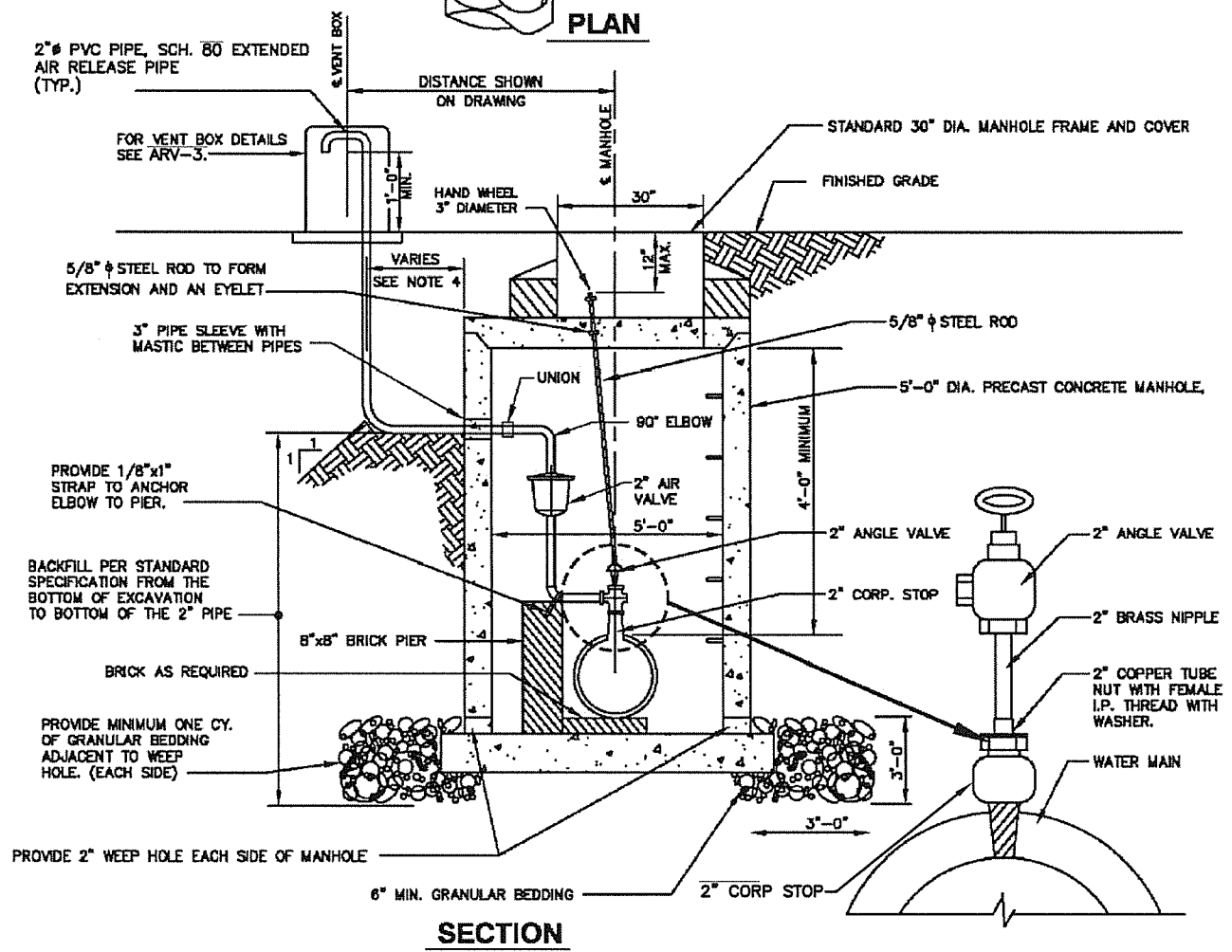


- NOTES:**
1. ALL FITTINGS BELOW AIR VALVE TO BE HEAVY DUTY THREADED UNPOLISHED BRASS UNLESS NOTED OTHERWISE.
 2. PIPE TAP & ANGLE VALVE TO BE SAME SIZE AS AIR VALVE (2").
 3. PROVIDE GRANULAR BEDDING UNDER MANHOLE PER DETAIL PRV-5.
 4. VENT BOX TO BE INSTALLED OUTSIDE OF TRAVELED AREAS.
 5. SEE DETAIL ARV-1 FOR POLYETHYLENE ENCAEMENT AT CONCRETE INTERFACE.



STANDARD DETAIL
 2" AIR VALVE IN
 MANHOLE FOR 8" AND
 LARGER PIPE
 WASHINGTON TOWNSHIP MUNICIPAL AUTHORITY

DATE	REVISIONS
SCALE NO SCALE	DWG. NO. ARV-1