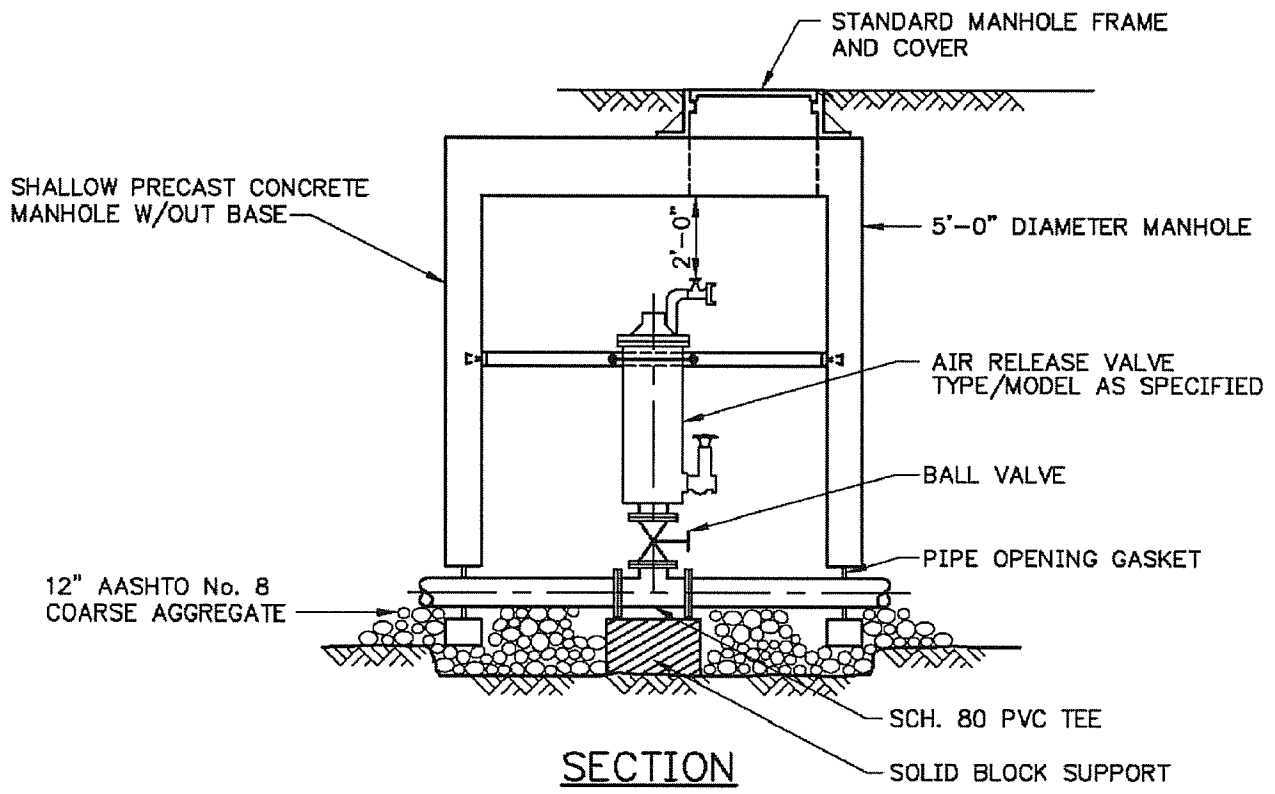


PLAN



SECTION

STANDARD DETAIL
 AIR RRELEASE VALVE
 AND CHAMBER FOR
 6" AND SMALLER PIPE
 WASHINGTON TOWNSHIP MUNICIPAL AUTHORITY

DATE	REVISIONS
SCALE NO SCALE	DWG. NO. ARV-2