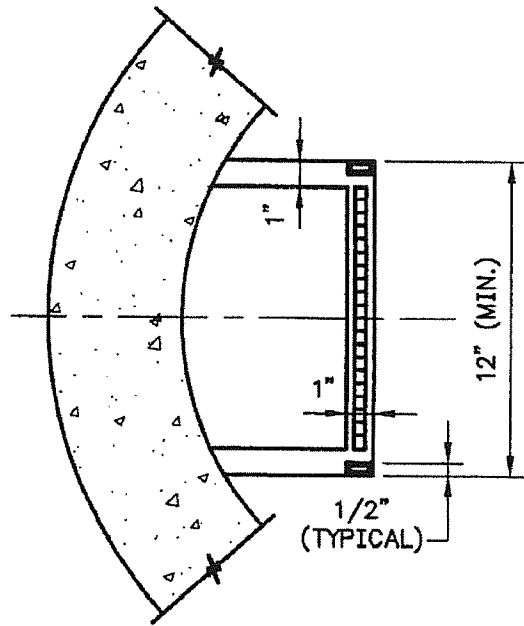
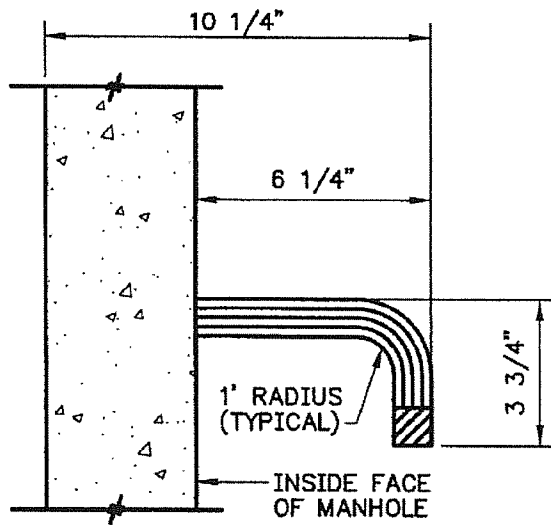


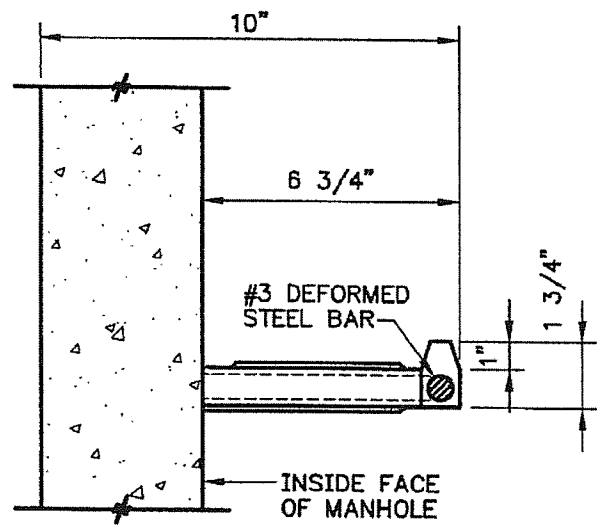
PLAN



PLAN



SECTIONAL ELEVATION
ALUMINUM



SECTIONAL ELEVATION
REINFORCED PLASTIC

STANDARD DETAIL

MANHOLE STEPS

WASHINGTON TOWNSHIP MUNICIPAL AUTHORITY

DATE	REVISIONS
SCALE NO SCALE	DWG. NO. MH-5