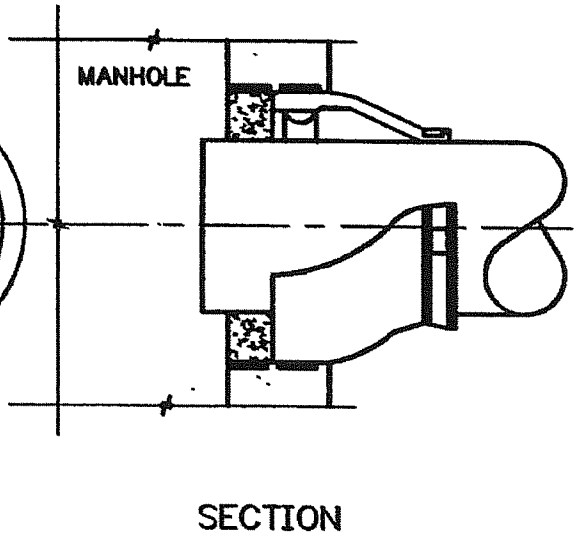
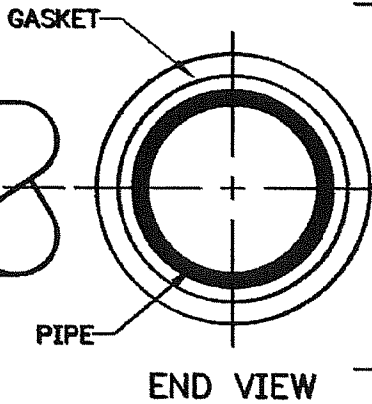
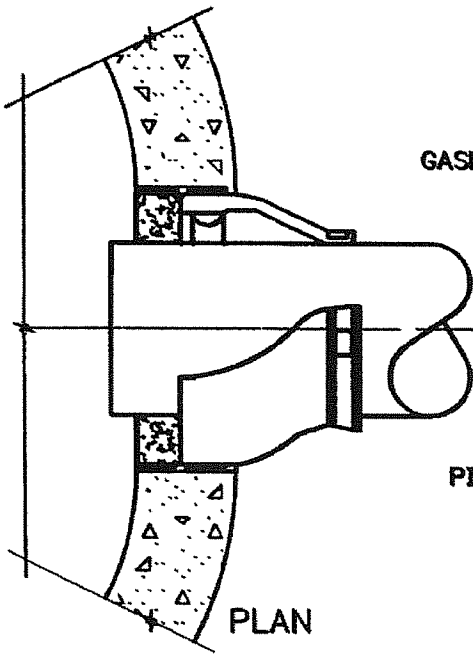


**TYPE 1**  
RUBBER GASKET CAST INTO  
PRECAST PIPE OPENINGS

**NOTE:**  
AFTER PIPE-TO-MANHOLE  
INSTALLATION, SEAL ANNULAR  
SPACE AROUND PIPE, INSIDE  
AND OUTSIDE OF MANHOLE  
WITH POLYURETHANE SEALING  
COMPOUND OR NON-SHRINK  
CEMENT GROUT.  
(TYP. OF ALL CONNECTIONS).



**TYPE 2**  
RUBBER GASKET COMPRESSION RING  
INSERT FOR PRECAST PIPE OPENINGS

STANDARD DETAIL

MANHOLE PIPE GASKETS

WASHINGTON TOWNSHIP MUNICIPAL AUTHORITY

DATE	REVISIONS
SCALE NO SCALE	DWG. NO. MH-7