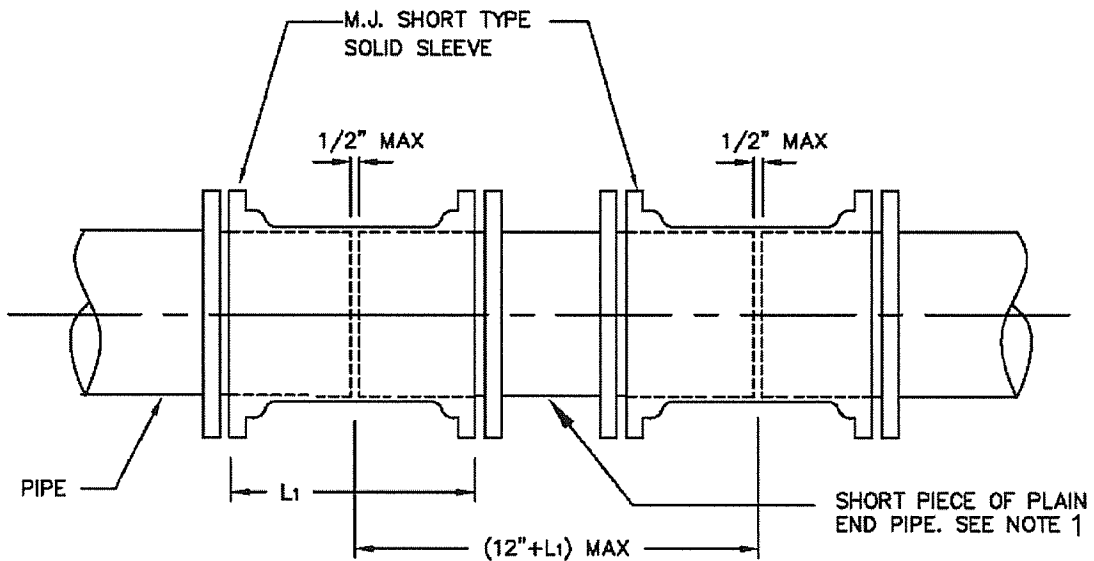


MECHANICAL JOINT SOLID SLEEVE (LONG TYPE)



MECHANICAL JOINT TWO SOLID SLEEVES (SHORT TYPE)

NOTES:

1. TO BE CUT FROM THE SAME TYPE AND SIZE OF PIPE BEING SLEEVED.

STANDARD DETAIL
PIPE CLOSURE
JOINT DETAIL
USING MJ SOLID SLEEVES
WASHINGTON TOWNSHIP MUNICIPAL AUTHORITY

DATE	REVISIONS
SCALE NO SCALE	DWG. NO. P-4