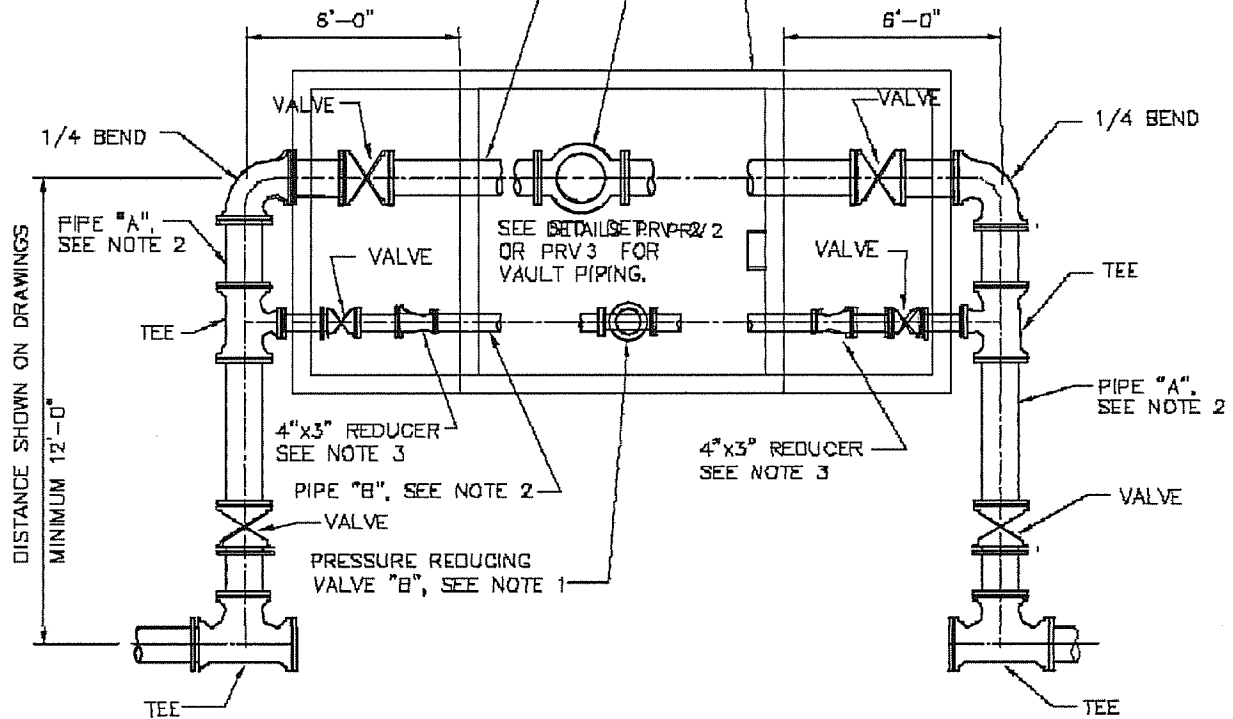


PUT METERS AND VALVES INSIDE VAULT

LOW PRESSURE SIDE SETTINGS
 "A" PRV ___ PSI ___ LHG
 "B" PRV ___ PSI ___ HHG
 FOR SETTINGS, SEE DRAWINGS

PRESSURE REDUCING VALVE VAULT
 SEE DETAIL PRV-2 OR PRV-3
 PRESSURE REDUCING VALVE "A", SEE NOTE 1
 PIPE "A", SEE NOTE 2

HIGH PRESSURE SIDE SETTINGS
 "A" PRV ___ PSI ___ LHG
 "B" PRV ___ PSI ___ HHG
 FOR SETTINGS, SEE DRAWINGS



NOTES:

TYPICAL PIPING LAYOUT

1. PRESSURE REDUCING VALVE "A" AS SHOWN ON DETAIL PRV-2 MAXIMUM DIA. 12", MINIMUM DIA. 4".
 PRESSURE REDUCING VALVE "A" AS SHOWN ON DETAIL PRV-3 MAXIMUM DIA. 6", MINIMUM DIA. 4".
 PRESSURE REDUCING VALVE "B" AS SHOWN ON DETAIL PRV-2 MAXIMUM DIA. 6" MINIMUM DIA. 3".
 PRESSURE REDUCING VALVE "B" AS SHOWN ON DETAIL PRV-3 SMALLER THAN 3" DIA.
2. PIPE "A" SHALL BE SAME AS PRESSURE REDUCING VALVE "A" UNLESS NOTED ON DRAWINGS.
 PIPE "B" SHALL BE SAME AS PRESSURE REDUCING VALVE "B", EXCEPT MINIMUM SIZE SHALL BE 4" DIA.
3. PROVIDE 4"x3" REDUCER FOR 3" PRESSURE REDUCING VALVE.
 SEE DETAIL PRV-3 FOR SMALLER THE 3" PRESSURE REDUCING VALVES.
4. PROVIDE M.J. SOLID SLEEVE WHERE SHOWN WITH WEDGE ACTION RESTRAINER GLAND, SEE STD. DET. W-11
 TOLERANCE BETWEEN PIPE ENDS SHALL NOT EXCEED 1/2". DO NOT USE PIPE SPACERS, SEE SPECIFICATIONS.
5. ONLY DUCTILE IRON PIPE AND FITTINGS ONLY, SEE DRAWINGS FOR SIZES.
6. RESTRAIN ALL JOINTS ON PIPE "A" FROM TEE TO TEE AND PIPE "B" WITH WEDGE ACTION RESTRAINER
 GLANDS, SEE DETAIL W-9
7. STANDARD PRESSURE REDUCING VAULT IS BASED ON THE ASSUMPTIONS AND LIMITATIONS.
 IF THESE CONDITIONS ARE NOT MET, SPECIAL DESIGN IS REQUIRED.
 a). ELEVATION OF GROUNDWATER TABLE IS ASSUMED TO BE 2'-0" BELOW BOTTOM SLAB ELEVATION.
 b). LOCATION OF THE VAULT IS ASSUMED TO BE LOCATED OUTSIDE THE ROAD RIGHT OF WAY.
8. POLYETHYLENE ENCASUREMENT FOR ALL DUCTILE IRON PIPE AND FITTINGS. SEE DETAIL PRV-5 AT CONCRETE INTERFACE.
9. PROVIDE RUBBER ANNUAL HYDROSTATIC SEALING DEVICES FOR ALL PIPE THROUGH WALL CONNECTIONS,
 SEE SPECIFICATIONS.

STANDARD DETAIL
 TYPE 1 AND 2 PRESSURE
 REDUCING VALVE VAULT
 PIPING LAYOUT
 WASHINGTON TOWNSHIP MUNICIPAL AUTHORITY

DATE	REVISIONS
SCALE NO SCALE	DWG. NO. PRV-1