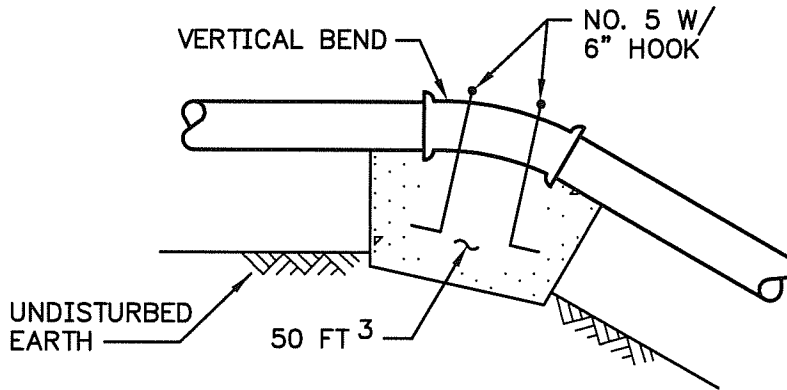


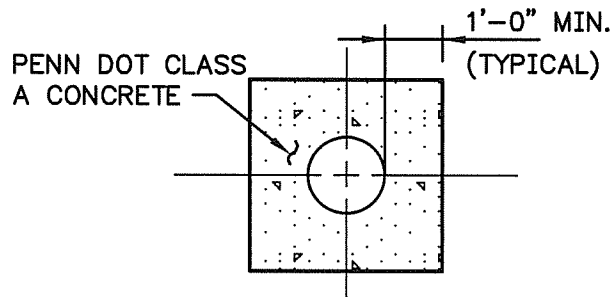
VERTICAL REACTION BACKING DETAIL

NO SCALE



VERTICAL REACTION BACKING DETAIL

NO SCALE



CONCRETE ENCASEMENT DETAIL

NO SCALE

NOTES:

1. ALL FITTINGS FOR WATERLINES/PRESSURE SEWERS/FORCEMAINS GREATER THAN 3" DIAMETER SHALL BE CEMENT-LINED DUCTILE IRON PIPE
2. ALL MJ FITTINGS TO BE WRAPPED IN PLASTIC PRIOR TO POURING REACTION BACKINGS.
3. ALL REACTION BACKING FOR 2" BLOW-OFF PIPING SHALL BE THE SAME AS FOR 3" DIAM. PIPE.

STANDARD DETAILS

VERTICAL REACTION BACKING DETAILS

WASHINGTON TOWNSHIP MUNICIPAL AUTHORITY

DATE	REVISIONS
12/07	DWG. CREATED
SCALE NO SCALE	DWG. NO. RB-2