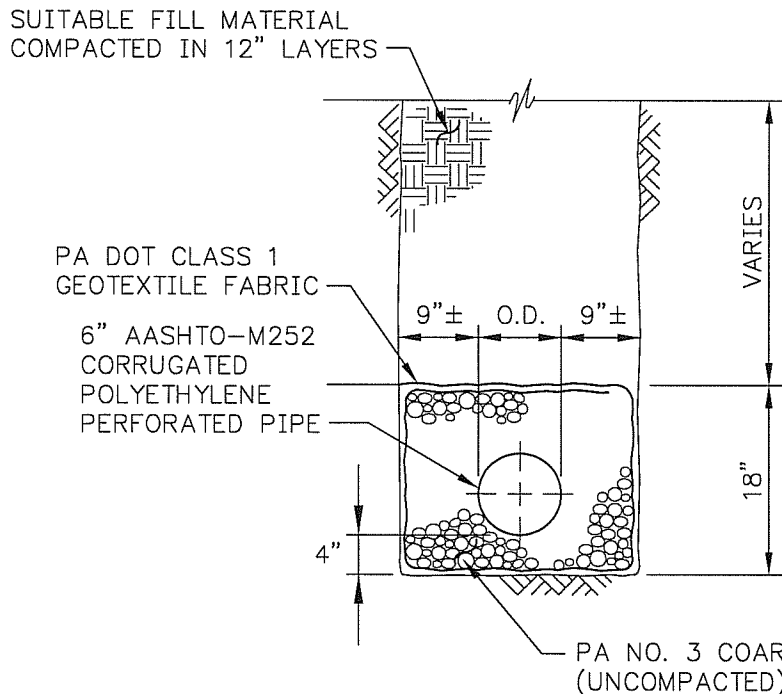


DRAIN DETAIL PAVED AREAS



DRAIN DETAIL IN RIGHT-OF-WAY

NOTES:

1. SUBSURFACE FRENCH DRAINS TO BE USED TO DRAIN GROUND WATER FROM WATER TRENCH IN CONJUNCTION WITH EARTH AND CLAY DAMS, OR AS DIRECTED BY ENGINEER.
2. PROVIDE SMOOTH SIDE AND BOTTOM TRENCH SURFACES.
3. USE FABRIC OF A WIDTH TO PERMIT A MINIMUM TRENCH WIDTH OVERLAP ACROSS THE AGGREGATE AT THE DRAIN TOP.
4. OVERLAP ENDS AN AMOUNT EQUAL TO THE TRENCH WIDTH.
5. BACKFILL AGGREGATE AND INSTALL PIPE IN A MANNER TO PREVENT DAMAGE TO THE FABRIC.
6. GEOTEXTILE FABRIC TO BE NON-WOVEN, CLOG RESISTANT.
7. FOR PERFORATED PIPE, PLACE THE PERFORATIONS DOWN.
8. SUBSURFACE DRAIN CONSTRUCTION AND MATERIALS TO CONFORM TO PADOT PUBLICATION 408, SECTIONS 212 AND 610.

FILE NAME: TR-W7-SUB-FRENCH-DRN.DWG

STANDARD DETAILS

SUBSURFACE FRENCH DRAIN DETAILS

WASHINGTON TOWNSHIP MUNICIPAL AUTHORITY

DATE	REVISIONS
11/07	DWG. CREATED
SCALE NO SCALE	DWG. NO. TR-W7